

Thermowells are hidden in pipes and are rarely seen. How dimensions are established for the wells and the immersion probes that fit into them are not readily apparent. This application note exposes how the dimensions are defined, how to install wells and immersion probes and defines their application environment.

What are Thermowells?

Thermowells are hollow tubes closed off on one end and threaded at the other end. They are permanently placed into pipes, tanks or sumps so that temperature measurement probes can be inserted into the pipe to measure the contents temperature. The temperature of the contents is transferred through the wall of the thermowell. The thermowell prevents the contents of the pipe from escaping and holds in the pressure of pressurized pipes.

Thermowells are sold by insertion length, the length of the thermowell inside the pipe. Figure 1 shows a four-inch thermowell; notice that the only four-inch dimension is an approximate insertion length that is based on a schedule 80 eight-inch diameter pipe (See Table 1 and Figure 2.).

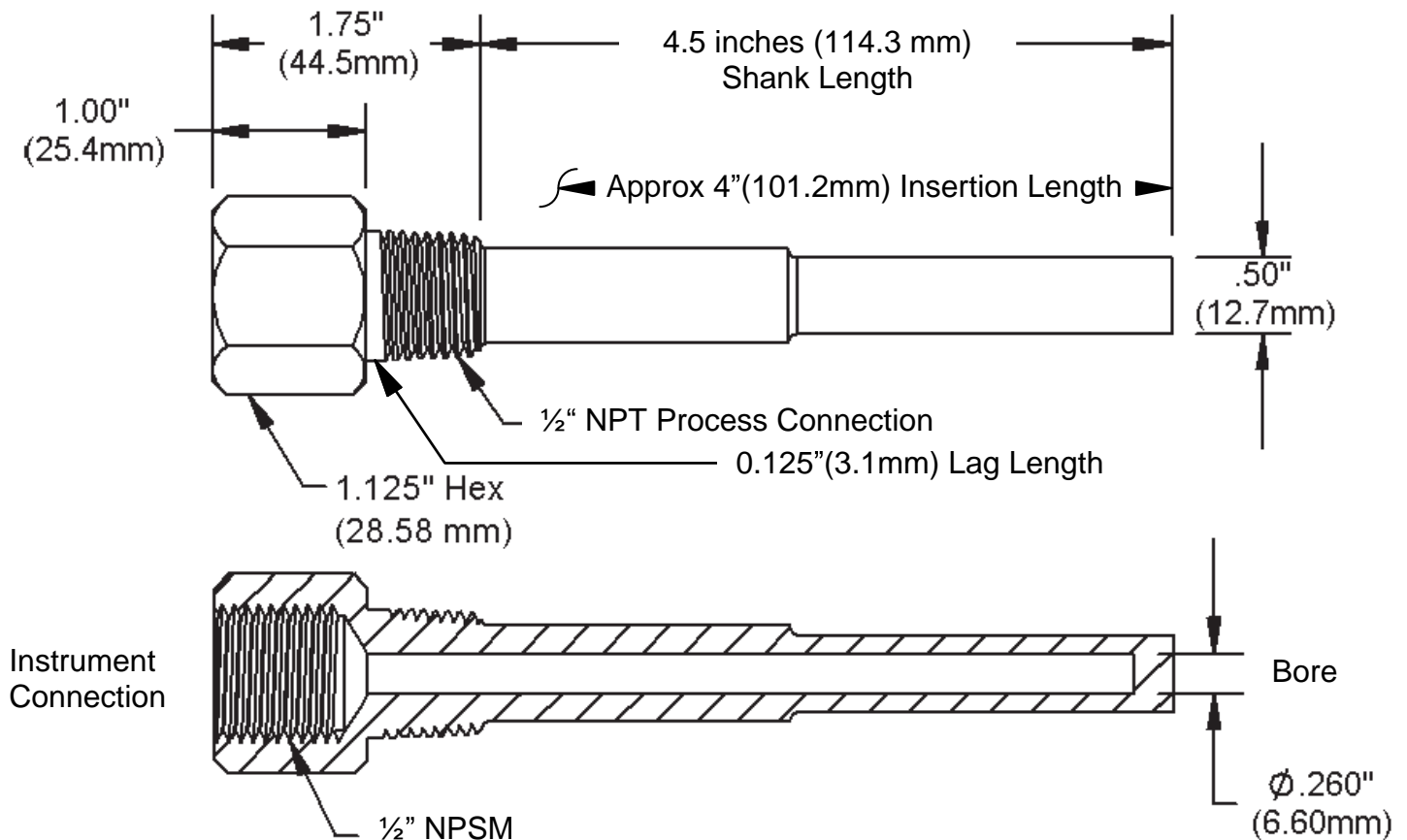


Figure 1: Four Inch Machined Thermowell

Table 1 Pipe Insertion Table Using BAPI Wells

Pipe Size	Schd 40 Wall Thickness	Schd 80 Wall Thickness	Recommended Well Type	Shank Length	Actual Insertion Schd 40	Actual Insertion Schd 80
1/2	0.109	0.147	BA/2"	2.5	2" @ elbow	2" @ elbow
3/4	0.113	0.154	BA/2"	2.5	2" @ elbow	2" @ elbow
1.00	0.133	0.179	BA/2"	2.5	2" @ elbow	2" @ elbow
1 ½	0.145	0.2	BA/2"	2.5	2" @ elbow	2" @ elbow
2.00	0.154	0.218	BA/2"	2.5	2" @ elbow	2" @ elbow
2 ½	0.203	0.276	BA/2"	2.5	2" @ elbow	2" @ elbow
3.00	0.216	0.3	BA/2"	2.5	2.28	2.20
4.00	0.237	0.337	BA/2"	2.5	2.26	2.16
5.00	0.258	0.375	BA/2"	2.5	2.24	2.13
6.00	0.28	0.432	BA/4"	4.5	4.22	4.07
8.00	0.322	0.5	BA/4"	4.5	4.18	4.00
10.00	0.365	0.593	BA/4"	4.5	4.14	3.91
12.00	0.406	0.687	BA/8"	7.5	7.09	6.81
14.00	0.437	0.75	BA/8"	7.5	7.06	6.75
16.00	0.5	0.843	BA/8"	7.5	7.00	6.66
18.00	0.563	0.937	BA/8"	7.5	6.94	6.56
20.00	0.593	1.031	BA/8"	7.5	6.91	6.47
24.00	0.687	1.218	BA/8"	7.5	6.81	6.28

How Thermowells and Immersion fittings are installed.

General Information

Immersion probes need to be at least two inches longer than the shank length to fit through all the fittings at the open end of the thermowell. Immersion probes come with a fitting that screws into the top of the thermowell. BAPI's standard immersion probe fitting holds the probe with a tight friction fit. Double threaded probes are designed to bottom out in the thermal well when tightened.

Pull the probe out of the electrical box until the flare on the end of the probe, where the sensor wires come out, touches the immersion fitting. Insert the probe into the thermowell and push the immersion fitting towards the thermowell until the fitting's threads engage the thermowell. Screw in the immersion fitting until it is just finger tight. The probe flair will move away from the immersion fitting surface. Carefully push on the temperature probe flair to be sure that the end of the temperature probe is bottomed out in the thermowell. The friction between the probe and the immersion fitting holds the probe against the bottom of the thermowell and ensures good temperature transfer.

Pipes Three Inches in Diameter and Larger

Figure 2 shows a four-inch thermowell and four-inch immersion probe installed into an eight inch pipe. In a properly insulated pipe with liquid or steam, the temperature is essentially the same across the entire cross section of the pipe. Usually thermowells are sized to extend to the center of the pipe; however, shorter thermowells will give proper temperature readings if properly installed. Shorter thermowells are used in pipes with high flow velocities, see Table 3.

In practice, a $\frac{3}{4}$ -inch hole is drilled into the pipe where the thermowell is needed. A fitting, called a threadolet, is welded over the hole. A thread sealant such as Teflon tape or pipe dope is applied to the outside threads of the thermowell. The thermowell is inserted into the threadolet and tightened.

Since the wall thickness of the pipe commonly used for HVAC plumbing is $\frac{1}{2}$ -inch, the thermowell sticks four-inches into the pipe. The four-inch distance called out by a four-inch thermowell is the distance from the inside surface of the pipe to the end of the thermowell.

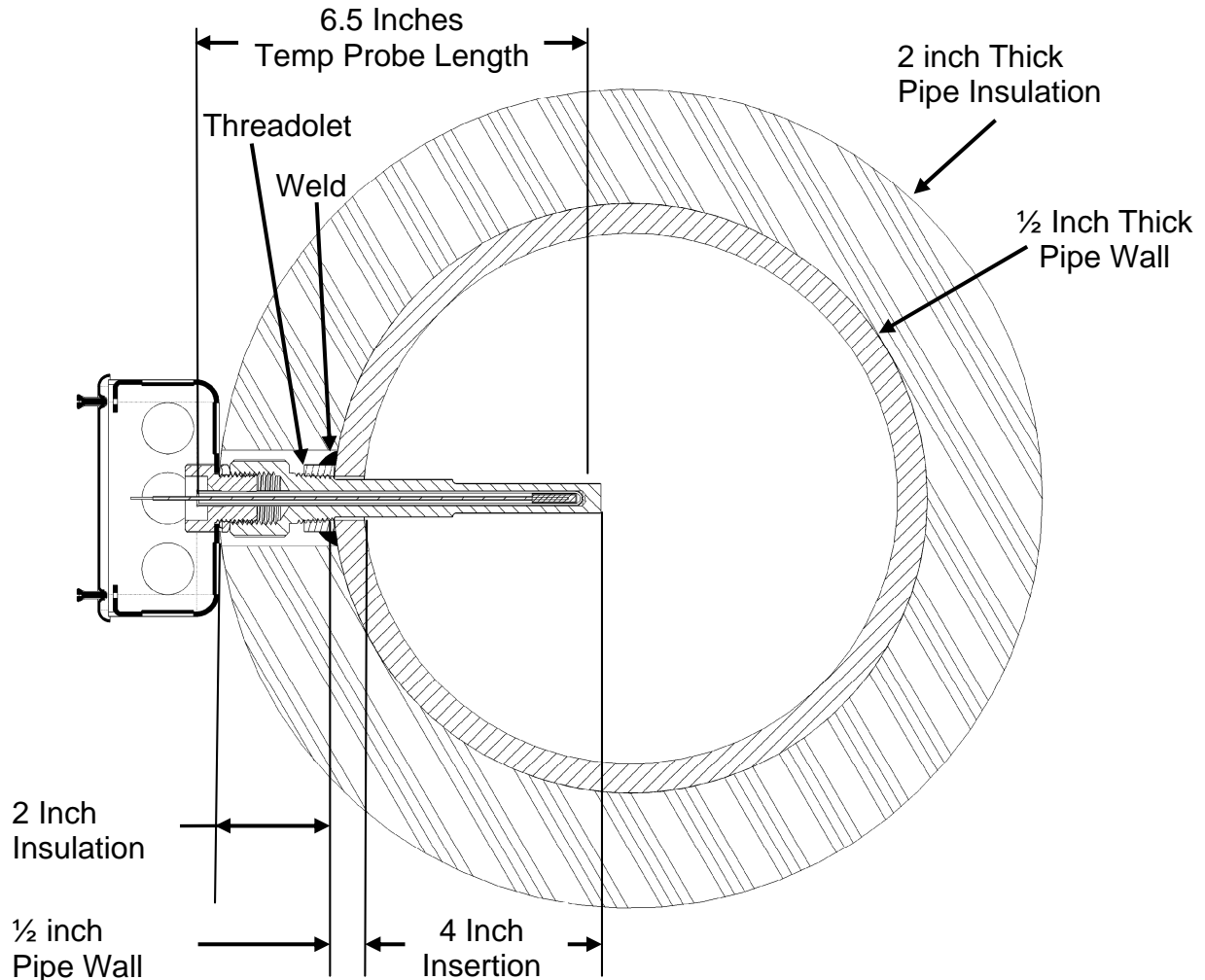


Figure 2: 4 Inch Thermowell in an 8 Inch Schedule 80 Pipe

Pipes Less than Three Inches in Diameter

Figure 3 shows how a pipe tee can be used in an elbow application. A 2-inch tee and a ½ inch to 2-inch bushing allows a 4-inch thermowell to measure the temperature of the contents of a 2-inch water pipe. Temperatures in pipes as small as 1-1/4 inch may be measured by this method. In small pipes the diameter of the thermowell may become a significant obstruction, be sure to check for proper flow rates.

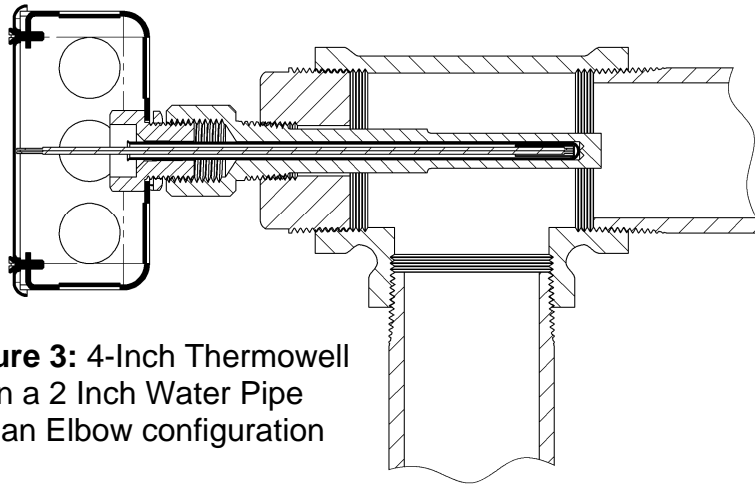


Figure 3: 4-Inch Thermowell
in a 2 Inch Water Pipe
in an Elbow configuration

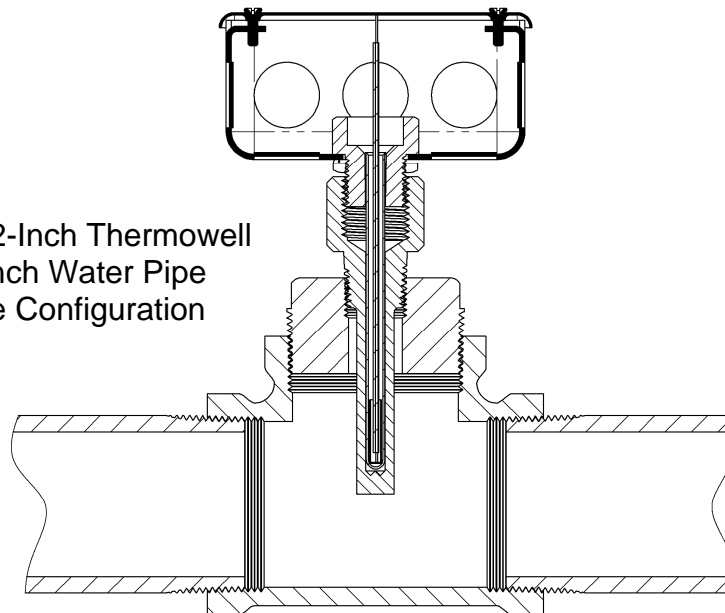


Figure 4: 2-Inch Thermowell
in a 2-Inch Water Pipe
in a Tee Configuration

Alternatively, Figure 4 shows how a 2-inch tee and a ½ inch to 2-inch bushing allows a 2-inch thermowell to measure the temperature of the contents of a 2-inch water pipe.

Be sure to use a thread sealant on the outside threads of the thermowell.

Types of Thermowells

BAPI sells machined brass, two-part welded stainless steel and machined stainless steel thermowells.

Two part welded stainless steel thermowells are not as strong as their machined counterparts. See the entries for Welded S.S. in the following design tables. Additionally, welded stainless steel thermowells should not be used in turbulent flow; ideally they should be three to five pipe diameters from elbows or transitions.

Table 2: Pressure Rating versus Temperature

Thermowell Material	Temperature in Degrees Fahrenheit						
	70°F	200°F	400°F	600°F	800°F	1000°F	1200°F
	Pressure Rating (Pounds per Square Inch)						
Brass	5000	4200	1000	-	-	-	-
Welded S.S.	982	820	675	604	550	510	299
304 S.S.	7000	6200	5600	5400	5200	4500	1650
316 S.S.	7000	7000	6400	6200	6100	5100	2500

Table 3: Maximum Fluid Velocity versus Insertion Length

Thermowell Material	Fluid Type	Insertion Length (inches)		
		1-2"	1-4"	1-8"
		Maximum Fluid Velocity (Feet per Second)		
Brass	Air/Steam	207	75.5	27.3
	Water	59.3	32.2	19.7
Welded S.S.	Air/Steam	169	61	20
	Water	88	20	10
304 S.S.	Air/Steam	300	109	39.5
316 S.S.	Water	148	82.2	-

The values shown in Table Three are based on operating temperatures of 350°F for brass and 1,000°F for stainless steel (S.S.). Slightly higher velocities are possible at lower temperatures.

Shake, Rattle and Roll

Tables Two and Three were developed to insure that there will be no thermowell failures due to application stresses. Thermowell failures, in most cases, are not due to the effects of pressure or temperature on the well. The calculations necessary to provide adequate strength, under given conditions, are familiar enough to permit proper choice of wall thickness and material. The values shown in Table 1 are conservative, and intended primarily as a guide.

Less familiar, and more dangerous, are the **vibration effects** to which thermowells are subjected. Fluid, flowing by the well, forms a turbulent wake (called the Von Karman Trail) which has a definite frequency, based on the diameter of the thermowell and the velocity of the fluid. It is important that the thermowell have sufficient stiffness so that the wake frequency will never equal the resonant (natural) frequency of the thermowell itself. If the resonant frequency of the thermowell coincided with the wake frequency, the thermowell would vibrate to destruction and break off in the piping.

Von Karman trails form as the fluid flows around the thermowell. First the fluid swirls clockwise and then counterclockwise. The swirls form low pressure regions behind the thermowell and the total fluid pressure pushes the well back and forth.

Thermowells are also safe if the resonant frequency is well **below** the wake frequency or if the fluid velocity is constantly fluctuating through the critical velocity point. Nevertheless, if the installation is not hampered by the use of a sufficiently stiff thermowell, we recommend the values given in Table 2 not be exceeded.

Visualizing Von Karman Trails

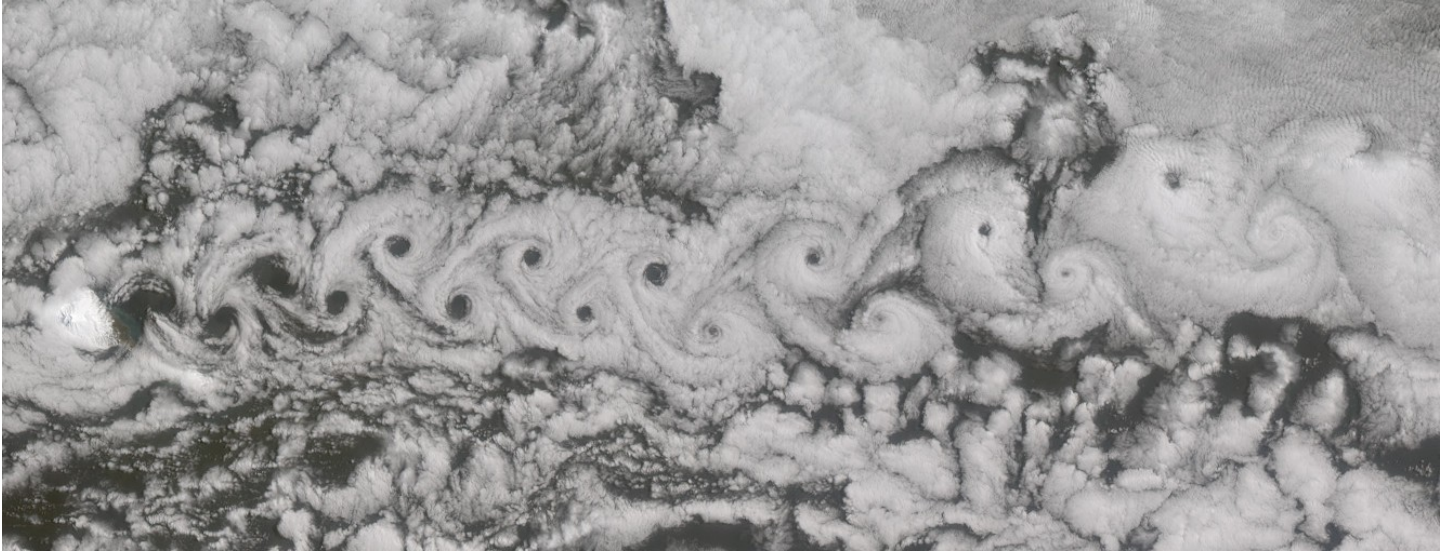


Figure 5: Von Karman Trail

Figure 5 is a picture taken by NASA's Multi-angle Imaging SpectroRadiometer satellite on June 6, 2001. A Von Karman trail extends over 300 km southward of Jan Mayen Island (North is to the left in Figure 5). Jan Mayen is an isolated island of Norway, located about 650 km northeast of Iceland in the North-Atlantic Ocean. Jan Mayen's Beerenberg volcano rises about 2.2 km above the ocean surface, providing a significant impediment to wind flow.

As each vortex is generated a low pressure region develops on alternate sides of the volcano. The volcano is pushed slightly back and forth with each vortex. Similar vortexes are generated by fluids flowing down a pipe with a thermowell in it. The thermowell vibrates just like a tuning fork, at a critical frequency the thermowell will break off in the pipe. If you use the recommendations in Tables 2 and 3 you should not have any problems for the life of your system.