

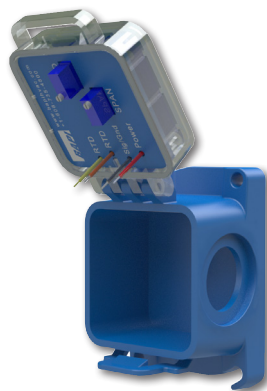


Features & Options

- Fully Encapsulated Circuitry
- Green Power Indication LED on BBX Models

BAPI's loop powered 4 to 20mA temperature transmitters feature a 1,000Ω Platinum RTD (385 curve) and are available in a wide selection of temperature ranges or custom ranges.

They mount in a variety of enclosures to accommodate any application and terminate with flying leads or terminal screws. The unit is fully encapsulated (ruggedized) with a high thermal conductivity material to prevent circuit overheating and is water resistant.



XOR-BBX Model

XOR Model

TRK Model

STM Model

EUM Model

Specifications

Power Required:

7 to 40VDC (All units except XOR-BBX6)
10 to 40VDC (XOR-BBX6 units)

Transmitter Output:

4 to 20mA, 850Ω@24VDC

Output Wiring: 2 Wire Loop

Flying Leads (4 to 22 AWG)
or 4 Terminal Block (24 to 12 AWG)

Calibration Span:

Min. 30°F (16.6°C), Max 1000°F (555°C)

Calibration Zero:

Min. -148°F (-100°C), Max 900°F (482°C)

Accuracy: ±0.065% of Span

Linearity: ±0.125% of Span

RTD Sensor (2 Wire):

1KΩ, 2 Wire Plat. (PT), 385 Curve
Matched (M): 13 to 302°F (-25 to 150°C)
with 3-point certificate (25%, 50% & 75%)

Mounting Shell:

ABS shell w/ Waterproof Urethane Fill

Transmitter Ambient:

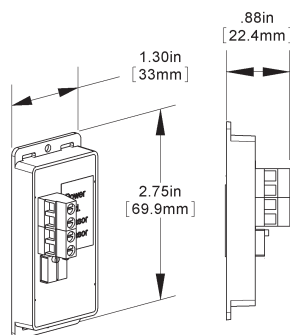
-4 to 158°F, (-20° to 70°C)
0 to 95% RH, Non-condensing

BAPI-Box Crossover Encl. Material:

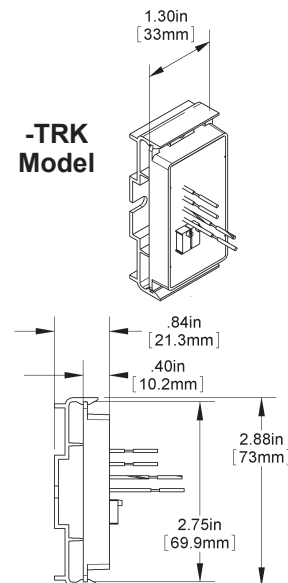
Polycarbonate, UL94V-0, UV-Rated

BAPI-Box Crossover Encl. Rating: IP10, NEMA 1

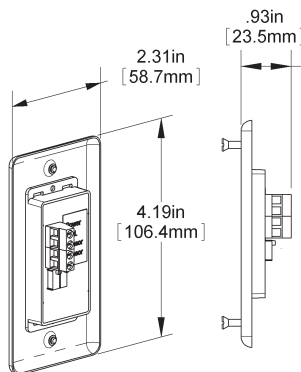
Agency: RoHS



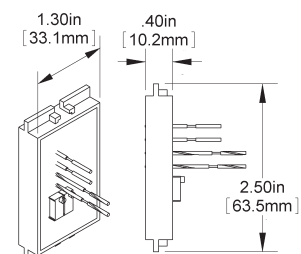
-STM Model
(shown with optional Terminal Strip)



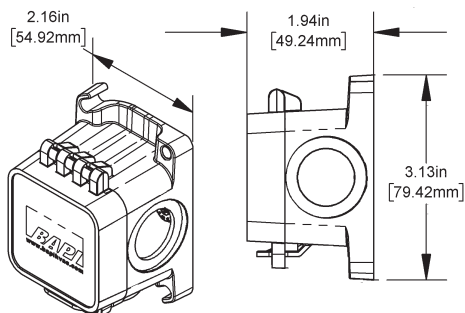
-TRK Model



-XOR Model
(shown with optional Terminal Strip)



-EUM Model



XOR-BBX Model





Use the Option Selection Guide below to create your custom part number. Replace the number and parenthesis with the designator for each selection. Skip the designator and dashes for optional selections that are not required in your configuration.



4 to 20 mA Transmitter Option Selection Guide

BA/ (#1) (#2) - (#3) - (#4)

#1: Temperature Transmitter Type (required)

T1K.....1K Platinum RTD, 1KΩ @ 0°C with 4 to 20 mA Output

T1KM.....1K Platinum RTD, 1KΩ @ 0°C with 4 to 20mA Output and NIST certification

#2: Temperature Transmitter Range (required)

[32 TO 212F]32 to 212°F Range

[20 TO 120F]20 to 120°F Range

[0 TO 100F]0 to 100°F Range

[0 TO 100C].....0 to 100°C Range

[-7 TO 49C].....-7 to 49°C Range

[-18 TO 38C].....-18 to 38°C Range

#3: Configuration and Optional Enclosure (required)

XOR.....Transmitter in snaptrack mountable shell, w/ metal plate

XOR-EUM.....Transmitter in EU size shell

XOR-STM.....Transmitter in snaptrack mountable shell, no metal plate

XOR-TRK.....Transmitter with 1.25" inch wide piece of 2-3/4" snap track

XOR-BBX.....Transmitter in a BAPI-Box Crossover enclosure (IP10)

#4: Screw Terminals (optional)

TS.....Terminal Strip terminals for RTD, power and signal

Additional options and custom ranges are available for these units but not shown in this Selection Guide. Contact your BAPI representative for the complete list of options. Submittal sheets without List Prices can be downloaded from our website at www.bapihvac.com

Example Number: BA/(**T1K**) ([**0 to 100F**]) - (**XOR-BBX**) - ()

Actual Number (with parenthesis removed): BA/T1K[0 to 100F]-XOR-BBX

Description: T1K Transmitter, 0 to 100°F Range in a BAPI-Box Crossover Enclosure.

Your Number: BA/

